

iDROMix®

Water powered proportional dosing & mixing

3.5
m³/h

The Idromix® dosing pump is the simplest and most efficient system to obtain a controlled mixture of a liquid or water-soluble product with water.

Idromix® is a volumetric dosing pump that works with the only driving force of the water that flows through it, without electricity. The required dosage remains constant regardless of variations in flow rate and pressure.

iDose3.5 range

Operating water flows from 10 l/h up to 3.5 m³/h



- **Compact design, larger capacity, less wear.**
- **Dosing accuracy** over the entire water flow range.
- **Wider chemical resistance as standard:** unique housing in polypropylene without fiberglass.
- **Translucent version available** at no extra cost: allows to see the engine stroke.
- **Very resistant motor:** no metal spring, fewer parts.
- **Simple, precise and safe dosage adjustment** thanks to a new integrated "autolock" system.
- **Mixing quality:** product injection at the inlet and mixing throughout the pump body.
- **Built-in ON/OFF** stop injecting the product without turning off water.
- **Lower part interchangeable** between models.
- **3/4" BSP or 1" BSP connections available**

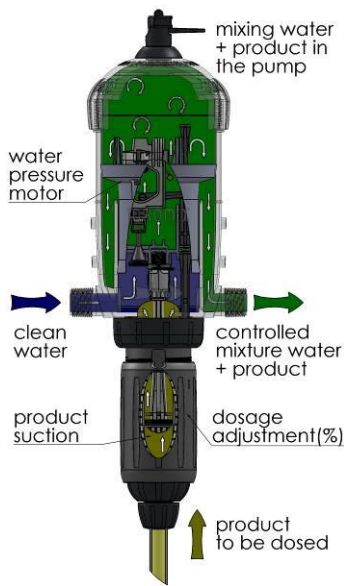
iDose3.5 range		
Models	Dosage*	Operating ranges
iDose3.5 DA 022	0,2% à 2%	Water flow: 10 l/h - 3500 l/h Pressure: 0,3 - 6 bar
iDose3.5 DA 055	0,5% à 5%	
iDose3.5 DA 110	1% à 10%	

*The dosage indicated corresponds to the actual concentration of the product in the solution at the pump outlet.

Designed and made in France
by an independent company

Easy, tool-free maintenance
Low pressure loss at
high flow rate

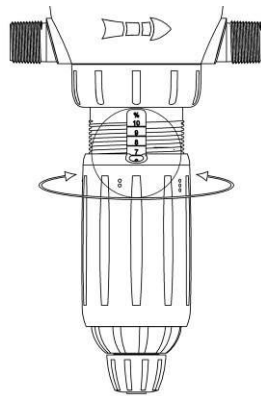
Operating principle:



The Idromix uses water pressure as its operating energy. Connected to a water supply and when set on the ON position, Idromix continuously sucks and mixes the product to be dosed with water, according to the selected setting. The amount of product sucked is proportional to the volume of water passing through the Idromix. **It is a dosage.** The volumetric principle ensures constant dosing, regardless of variations in flow and pressure in the network. The optimized motor design reduces pressure loss across the pump at high flow rates.

Precise and safe dosage setting:

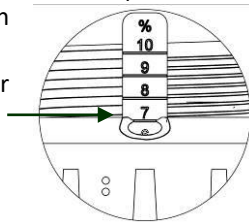
The dosage is simply adjusted by turning the adjusting nut when the unit is not under pressure. The "autolock" system automatically preserves the selected position, without the need to tighten any additional ring or nut. The dosage is selected by matching the eyecup ring with the desired scale. The adjusting nut has markings (dots) for easy retrieval of an even more precise dosage setting.



The dosage indicated corresponds to the actual product concentration in the output solution.

ex: 7% setting = 7% solution, i.e., 7 volumes of product and 93 volumes of water to obtain 100 volumes of solution.

setting of the eyecup ring for a 7% dosage



Installation / operation:

- comply with the standards in force in your country for installing the Idromix in a drinking water system,
- install a filter upstream (100 microns),
- provide protection against overflow and water hammer,
- adjust the dosage ratio out of pressure,
- rinse your Idromix regularly with clean water,
- change seals at least once a year.

Please, contact us for any installation advice.

Available versions:

Models	Fittings	Colors
iDose3.5 DA 022 - 0,2% à 2%	3/4" BSP (M 20x27)	translucent or blue
iDose3.5 DA 055 - 0,5% à 5%		
iDose3.5 DA 110 - 1% à 10%		
iDose3.5 DA 022 - 0,2% à 2%	1" BSP (M 26x34)	green
iDose3.5 DA 055 - 0,5% à 5%		
iDose3.5 DA 110 - 1% à 10%		

Standard: Viton FKM seals. Other: contact us.

Option: viscosity kit for all models.

Main applications:

Livestock: medication, supplementation, injection of acids, peroxides, biocides, detergents or other liquid or soluble products to treat water, clean and disinfect surfaces and equipment.

Horticulture, market gardening, arboriculture: Fertigation, pH correction, crop protection, maintenance of water systems.

Industry: Dosing and mixing of soluble lubricants, detergents, wetting agents, lubrication of conveyors, degreasing of parts, CIP (Cleaning in Place), TH correction, vehicle wash.

Technical characteristics :

Operating water flow rate	from 10 lph to 3500 lph
Operating pressure	from 0,3 bar to 6 bar
Water temperature	40°C max
Dosage value	Ex: 10% setting = 10 V of product + 90 V of water, i.e., 100 V of solution.
Dosage accuracy	+5 % of full scale
Pressure loss	from 0,3 to 2 bar
ON/OFF function	Integrated
Inlet / outlet fittings	3/4" BSP or NPT (M 20x27) 1" BSP (M 26x34)
Width	16 cm
Motor	Differential piston
Capacity	0,62 liter
Product injection	Internal at the inlet, mixing of the product in the pump
Suction valve	Clip-on mounting, easy to clean
Self priming of the pump	Yes
Operation without product	Possible
Max viscosity of the product	800 cSt viscosity kit above 400 cSt
Suction height	2,5 m max
Suction length	4 m max

Materials:

Main Body: natural polypropylene (without fiberglass)

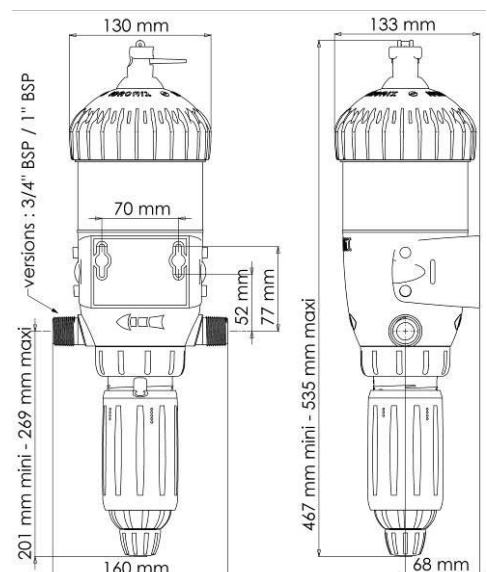
Motor: polyamide, polypropylene, polyethylene, peek

Lower part: polypropylene, polyethylene, PVDF

Suction pipe: PVC

Seals: Viton / FKM

iDose 3.5 dimensions:



package size: 51x17,5x14,5cm

package weight: ± 2 kg

